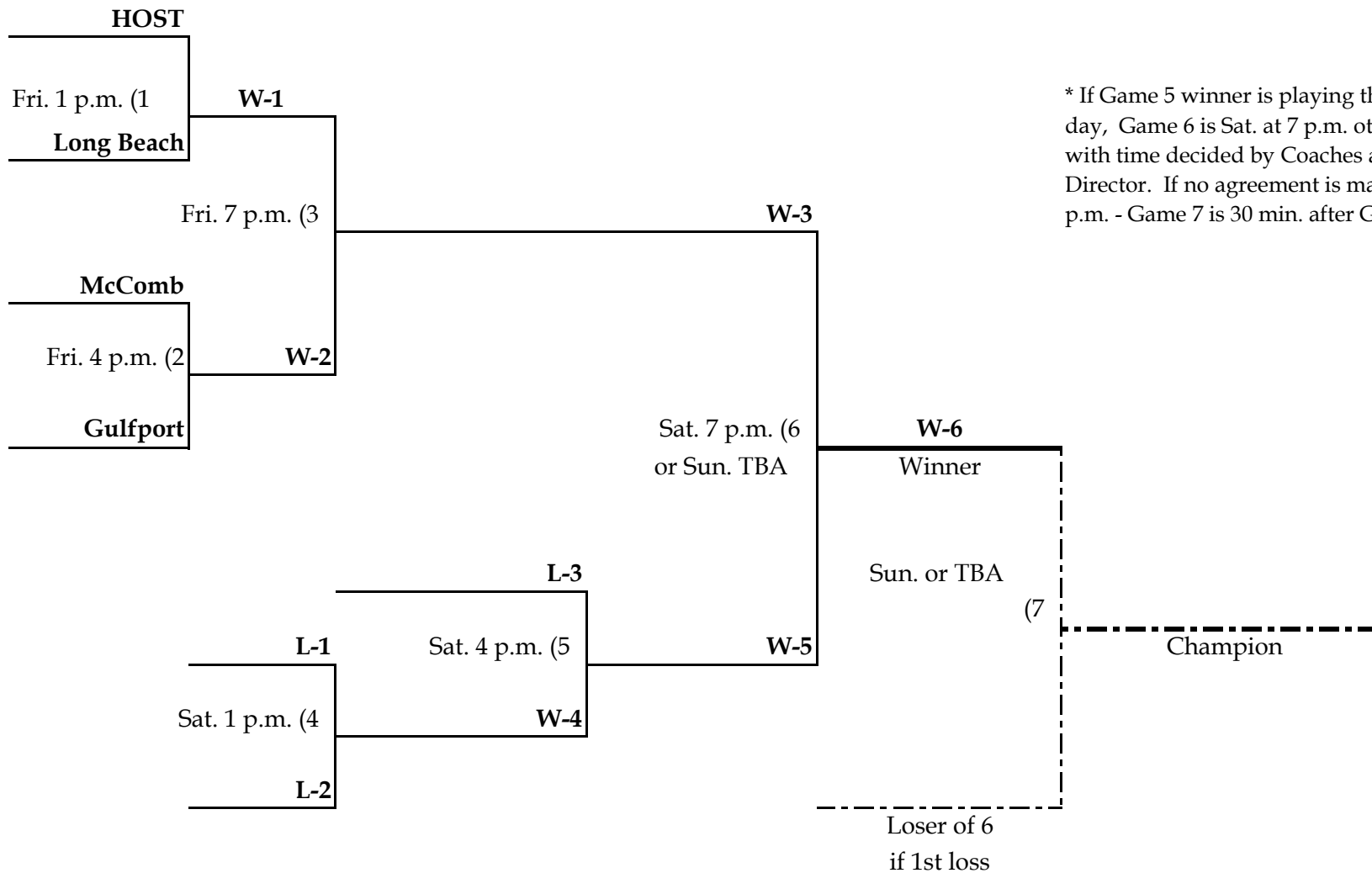


Mississippi Babe Ruth
13 Only State Tournament - Corinth, MS
Check-in July 23, 2009 - Play July 24-26, 2009



* If Game 5 winner is playing their first game of the day, Game 6 is Sat. at 7 p.m. otherwise TBA is Sun. with time decided by Coaches and Tournament Director. If no agreement is made, Sun. game is at 6 p.m. - Game 7 is 30 min. after Game 6 ends - if needed.